



SELF-CONTAINED CUBER
MACHINE A GLAÇONS A BAC INTÉGRÉ
STECKERFERTIGER WÜRFELEISBEREITER
IJSBLOKJESMACHINE MET INGEBOUWDE OPSLAGBUNKER
FABRICADOR INTEGRADO DE CUBITOS DE HIELO
CUBETTATRICE AUTONOMA

**INSTRUCTION MANUAL
NOTICE D'UTILISATION
BEDIENUNGSANLEITUNG
GEBRUIKSAANWIJZING
MANUAL DE INSTRUCCIONES
MANUALE D'ISTRUZIONI**

**IM-21CNE
IM-30CNE
IM-30CWNE
IM-45CNE
IM-45NE
IM-45WNE
IM-65NE
IM-65WNE
IM-100CNE
IM-100NE
IM-100WNE
IM-130NE
IM-130WNE
IM-240NE
IM-240WNE**



IM-240NE

ENGLISH	IMPORTANT SAFETY INFORMATION.....	1
	I. INSTALLATION INSTRUCTIONS.....	2
	1. CONSTRUCTION.....	2
	2. ACCESSORIES.....	2
	3. UNPACKING.....	3
	4. LOCATION.....	4
	5. INSTALLATION.....	4
	6. ELECTRICAL CONNECTIONS.....	5
	7. WATER SUPPLY AND DRAIN CONNECTIONS.....	5
	II. OPERATING INSTRUCTIONS.....	8
	1. START UP.....	8
	2. PREPARING THE ICEMAKER FOR LONG STORAGE.....	9
	III. MAINTENANCE.....	9
	1. CLEANING.....	9
	2. BEFORE CALLING FOR SERVICE.....	10
	3. DISPOSAL.....	11
	4. WARRANTY.....	11
	SPECIFICATIONS.....	12
FRANCAIS	INFORMATIONS DE SECURITE IMPORTANTES.....	15
	I. CONSIGNES D'INSTALLATION.....	16
	1. CONSTRUCTION.....	16
	2. ACCESSOIRES.....	16
	3. DEBALLAGE.....	17
	4. EMBLACEMENT.....	18
	5. INSTALLATION.....	18
	6. BRANHEMENTS ELECTRIQUES.....	19
	7. BRANHEMENTS D'ARRIVEE ET DE VIDANGE D'EAU.....	19
	II. CONSIGNES D'UTILISATION.....	22
	1. MISE EN MARCHÉ.....	23
	2. PREPARATION DU DISTRIBUTEUR DE GLACE EN VUE D'UN ENTREPOSAGE DE LONGUE DUREE.....	23
	III. ENTRETIEN.....	23
	1. NETTOYAGE.....	23
	2. AVANT D'APPELER UN REPARATEUR.....	25
	3. MISE AU REBUT.....	25
	4. GARANTIE.....	25
	SPECIFICATIONS.....	26
DEUTSCH	WICHTIGE SICHERHEITSHINWEISE.....	29
	I. INSTALLATIONSANLEITUNG.....	30
	1. KONSTRUKTION.....	30
	2. ZUBEHÖR.....	30
	3. AUSPACKEN.....	31
	4. AUFSTELLORT.....	32
	5. INSTALLATION.....	32
	6. ELEKTRISCHE ANSCHLÜSSE.....	33
	7. WASSERZUWASSERZULAUF- UND WASSERABFLUSSANSCHLÜSSE.....	33
	II. BEDIENUNGSANLEITUNG.....	36
	1. INBETRIEBNAHME.....	37
	2. MASSNAHMEN FÜR DIE LANGFRISTIGE LAGERUNG DES EISBEREITERS.....	37
	III. WARTUNG.....	37
	1. REINIGUNG.....	37
	2. VOR ANRUF DES KUNDENDIENSTES.....	39
	3. ENTSORGUNG.....	39
	4. GEWÄHRLEISTUNG.....	39
	TECHNISCHE DATEN.....	40

NEDERLANDS	BELANGRIJKE VEILIGHEIDSINFORMATIE	43
	I. INSTALLATIE-INSTRUCTIES.....	44
	1. CONSTRUCTIE.....	44
	2. TOEBEHOREN.....	44
	3. UITPAKKEN	45
	4. PLAATSING.....	46
	5. INSTALLATIE	46
	6. ELEKTRISCHE AANSLUITINGEN	47
	7. AANSLUITING VAN WATERTOEVOER- EN WATERAFVOERLEIDINGEN	47
	II. BEDIENING.....	50
	1. OPSTARTEN.....	51
	2. DE IJSMAKER GEREEDMAKEN VOOR LANGDURIGE OPSLAG.....	51
	III. ONDERHOUD.....	51
	1. REINIGEN	51
	2. VOORDAT U BELT VOOR SERVICE.....	53
	3. VERWIJDERING	53
	4. GARANTIE	53
	SPECIFICATIES	54
ESPAÑOL	INFORMACIÓN IMPORTANTE DE SEGURIDAD	57
	I. INSTRUCCIONES DE INSTALACIÓN.....	58
	1. CONSTRUCCIÓN	58
	2. ACCESORIOS.....	58
	3. DESEMBALAJE.....	59
	4. UBICACIÓN.....	60
	5. INSTALACIÓN.....	60
	6. CONEXIONES ELÉCTRICAS	61
	7. SUMINISTRO DE AGUA Y CONEXIONES DE DRENAJE.....	61
	II. INSTRUCCIONES DE UTILIZACIÓN	64
	1. PUESTA EN MARCHA.....	65
	2. PREPARACIÓN DE LA MÁQUINA DE HIELO PARA UN ALMACENAMIENTO PROLONGADO.....	65
	III. MANTENIMIENTO	65
	1. LIMPIEZA	65
	2. ANTES DE LLAMAR AL SERVICIO TÉCNICO.....	67
	3. ELIMINACIÓN	67
	4. GARANTÍA	67
	ESPECIFICACIONES.....	68
ITALIANO	INFORMAZIONI IMPORTANTI SULLA SICUREZZA.....	71
	I. ISTRUZIONI PER L'INSTALLAZIONE.....	72
	1. COMPONENTI	72
	2. ACCESSORI.....	72
	3. DISIMBALLAGGIO	73
	4. UBICAZIONE.....	74
	5. INSTALLAZIONE.....	74
	6. COLLEGAMENTI ELETTRICI	75
	7. COLLEGAMENTO DI ALIMENTAZIONE DELL'ACQUA E COLLEGAMENTO DI SCARICO	75
	II. ISTRUZIONI DI FUNZIONAMENTO	78
	1. AVVIO.....	79
	2. PREPARATIVI PER IL'IMMAGAZZINAGGIOL DELLA MACCHINA A LUNGO TERMINE	79
	III. MANUTENZIONE.....	79
	1. PULIZIA	79
	2. PRIMA DI RIVOLGERSI ALL'ASSISTENZA	81
	3. SMALTIMENTO.....	81
	4. GARANZIA	81
	SPECIFICHE	82

IMPORTANT SAFETY INFORMATION

Throughout this manual, notices appear to bring your attention to situations which could result in death, serious injury, or damage to the unit.

▲WARNING	Indicates a hazardous situation which, if not avoided, could result in death or serious injury.
▲CAUTION	Indicates a hazardous situation which, if not avoided, could result in minor or moderate injury.
NOTICE	Indicates a hazardous situation which, if not avoided, could result in damage to the unit.
▲HYGIENE	Indicates important precautions for hygiene and food safety.
IMPORTANT	Indicates important information about the use and care of the unit.

IMPORTANT

This booklet is an integral and essential part of the product and should be kept and preserved by the user.

Please read carefully the guidelines and warnings contained herein as they are intended to provide the installer/user with essential information for the proper installation and the continued safe use and maintenance of the product.

Please preserve this booklet for any further consultation that may be necessary.

▲WARNING

This is a commercial icemaker, and should be destined only to be used for the purpose for which it has been expressly designed.

Any other use should be considered improper and therefore dangerous. The manufacturer will not be held liable or responsible for any damage caused by improper, incorrect and unreasonable use.

The installation, and relocation if necessary, must be carried out by qualified personnel, in accordance with current regulations, according to the manufacturer's instructions.

Keep ventilation openings, in the appliance enclosure or in the built-in structure, clear of obstruction.

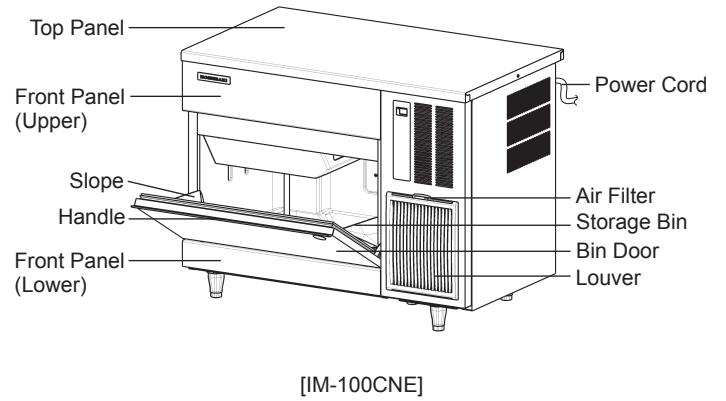
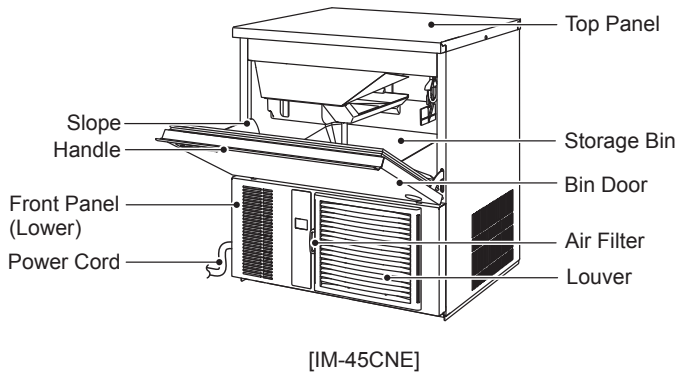
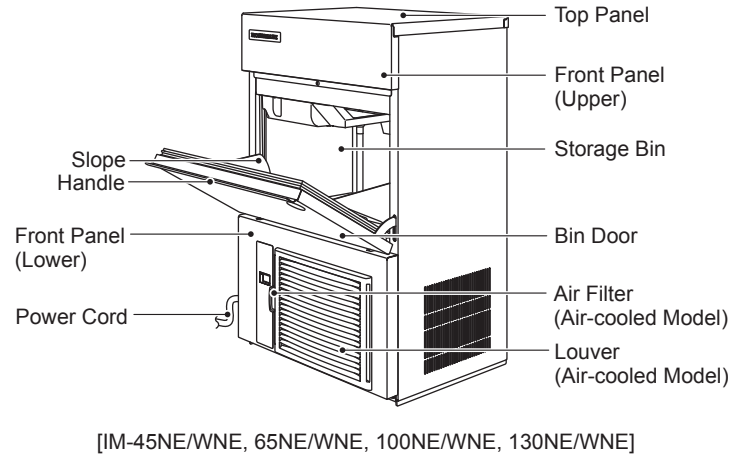
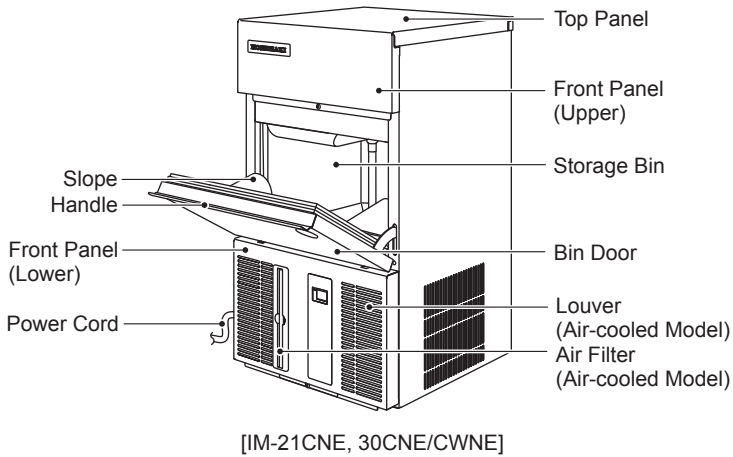
The use of any electrical appliance involves the observance of some fundamental rules. In particular:

- * Instances of high humidity and moisture increase the risk of electrical short circuits and potential electrical shocks. If in doubt, disconnect the icemaker.
- * Do not damage the power cord or pull it in order to disconnect the icemaker from the electrical supply network.
- * Do not touch the electrical parts or operate the switches with damp hands.
- * This appliance is not intended for use by persons (including children) with reduced physical, sensory or mental capabilities, or lack of experience and knowledge, unless they have been given supervision or instruction concerning use of the appliance by a person responsible for their safety.
- * Young children should be supervised to ensure that they do not play with the appliance.
- * Do not attempt to modify the icemaker. Only qualified personnel may disassemble or repair the appliance.

ENGLISH

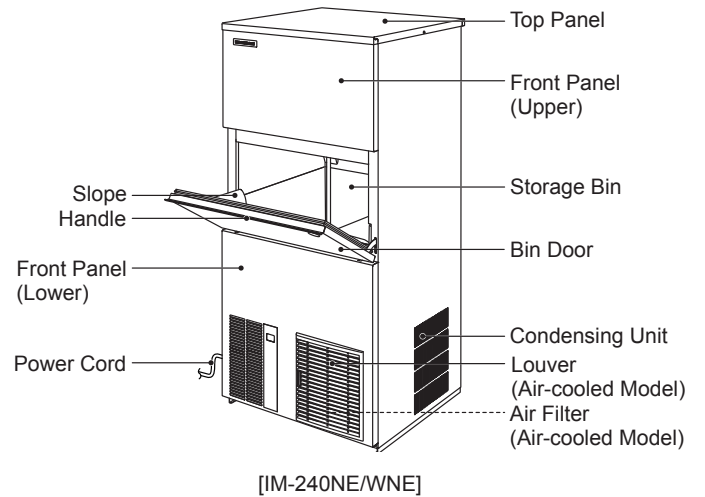
I. INSTALLATION INSTRUCTIONS

1. CONSTRUCTION



2. ACCESSORIES

	IM-21CNE	IM-30CNE IM-45CNE/NE IM-65NE IM-100NE IM-130NE IM-240NE	IM-30CWNE IM-45WNE IM-65WNE IM-100WNE IM-130WNE IM-240WNE	IM-100CNE
CD	1	1	1	1
Scoop	1	1	1	1
Inlet Hose	1	1	2	1
Outlet Hose	1	1	2	1
1/2-3/4 Nipple	-	-	2	-
Leg	-	4	4	5
Connector Cover	1	1	1	1
3/4-3/4 Nipple	-	-	-	1



CD



Scoop



Inlet Hose



Outlet Hose



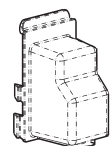
3/4-3/4 Nipple



1/2-3/4 Nipple



Leg



Connector Cover