

# CONTENTS

	PAGE
I. INSTALLATION INSTRUCTIONS-----	1
1. CONSTRUCTION-----	1
2. ACCESSORIES-----	2
3. LOCATION-----	2
4. SETUP-----	3
5. SHELF AND SHELF CLIP-----	4
6. ELECTRICAL CONNECTIONS-----	4
II. OPERATING INSTRUCTIONS-----	8
1. START UP-----	9
2. FRONT PANEL AND WINDOW PANEL-----	9
3. CABINET TEMPERATURE SETTING-----	9
4. DEFROST-----	11
5. INDICATOR LIGHTS-----	11
6. SHUT DOWN-----	11
III. SERVICING OF APPLIANCE-----	11
1. INTERIOR, EXTERIOR, SHELF-----	11
2. BEFORE CALLING A SERVICE AGENT-----	12
[a] TROUBLES WITH ERROR CODE INDICATION-----	12
[b] TROUBLES WITHOUT ERROR CODE INDICATION-----	12
3. DISPOSAL-----	13
4. WARRANTY-----	13

## WARNING



Keep Dry

Do not wet the product or use it in potentially wet conditions. This may cause electrical leakage, resulting in electric shock or fire.

- The refrigerated unit contains R134a/ R404A and polyester lubricant. These components have a high moisture absorbing characteristics. Exposure to ambient condition should be avoided. Only approved polyester lubricants to be used. Failure to do so will void all parts and compressor warranty.
- Keep the cabinet surrounding open in order to get proper ventilation.
- Do not damage the refrigeration circuit.
- In case of damage to wiring/power cord, do not replace/repair yourself. Call your service person.
- Do not use electrical appliances inside storage compartment.
- Do not move the unit while in use.

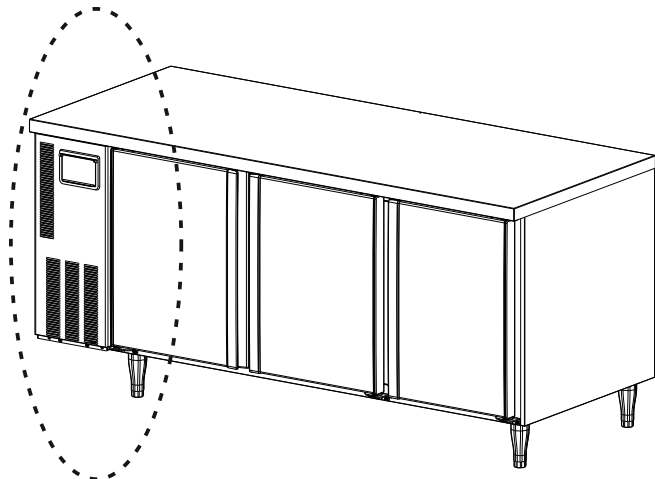
## IMPORTANT

1. This booklet is an integral and Essential part of the product and should be kept and preserved by the user. Please read carefully the guidelines and warnings contained herein as they are intended to provide the installer/ user with essential information for the proper installation and the continued safe use and maintenance of the product. Please preserve this booklet for any further consultation that may be necessary.
2. This is a commercial , and should be destined only to be used for the purpose for which it has been expressly designed. Any other use should be considered improper and therefore dangerous. The manufacturer will not be held liable or responsible for any damage caused by improper, incorrect and unreasonable use.
3. This appliance can be used by children aged from 8 Years and above and persons with reduced physical, Sensory or mental capabilities or lack of experience And knowledge if they have been given supervision or Instruction concerning use of the appliance in a safe Way and understand the hazards involved. Children Shall not play with the appliance. Cleaning and user Maintenance shall not be made by children without Supervision. Children should be supervised to ensure that they do not play with the appliance.

## I. INSTALLATION INSTRUCTIONS

### 1. CONSTRUCTION

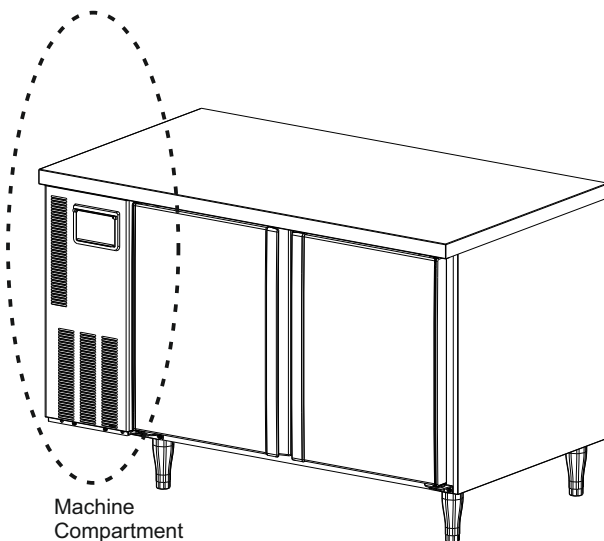
#### 1.1 (RTW-180/186/177 /FTW-180/186/177)



Machine  
Compartment

Fig. 1

#### 1.2 (RTW-120/126/127 /FTW-120/126/127) (RTW-150/126 /FTW-150/156)



Machine  
Compartment

Fig. 2

#### PRODUCT OUTSIDE DIMENSIONS IN MM (WITH LEGS):

RTW-120/ FTW-120	1200 (W) x 750 (D) x 850 (H)
RTW-150/ FTW-150	1500 (W) x 750 (D) x 850 (H)
RTW-180/ FTW-180	1800 (W) x 750 (D) x 850 (H)
RTW-126/ FTW-126	1200 (W) x 600 (D) x 850 (H)
RTW-156/ FTW-156	1500 (W) x 600 (D) x 850 (H)
RTW-127/ FTW-127	1200 (W) x 700 (D) x 850 (H)
RTW-177/ FTW-177	1660 (W) x 700 (D) x 850 (H)

# ENGLISH

## 1.3 (RTW-180MS4)

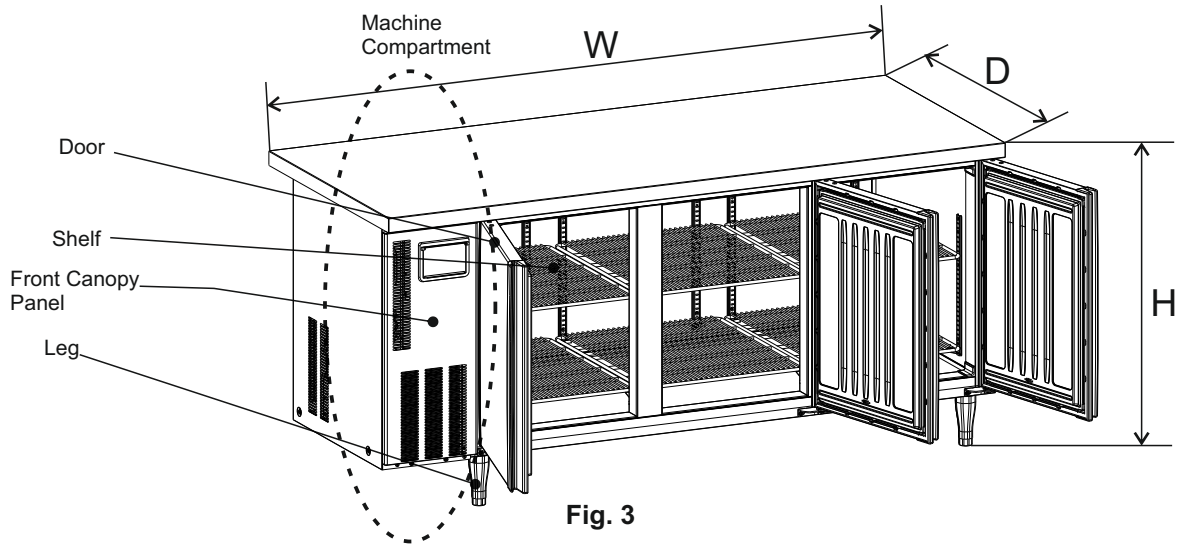


Fig. 3

## 2. ACCESSORIES

Width	1200/1500mm	1700/1800mm
a) Shelf:	4	6
b) Shelf Clip:	16	24
c) Shelf Holder:	8	12

Note: Customized products may have different numbers of accessories.

## 3. LOCATION

### IMPORTANT

This appliance is suitable for use only in climatic class 5 i.e. At 40°C and 40% RH

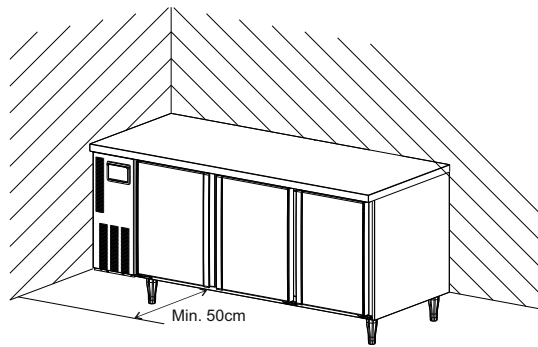
- \* Allow at least 50 cm clearance between the front panel air inlet/outlet and the wall or other equipment for proper air circulation. The front of the unit should have enough space for smooth adjustment of the cabinet temperature. If the ambient temperature can exceed 38°C, allow at least 10 cm clearance from the wall at the side of the machine compartment to prevent overloading and damaging the refrigeration circuit.

- \* Do not expose the unit to direct sunlight or higher temperatures.

- \* Allow at least 50 cm clearance at the front of the unit for smooth door operation.

For best operating results:

- \* The should not be located next to ovens, grills or other high heat producing equipment.
- \* The location should provide a firm foundation for the equipment.



**Fig.4**

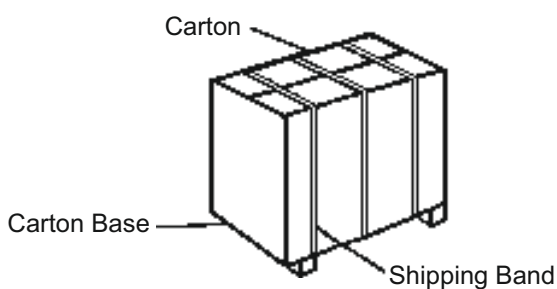
## 4. SET UP

### IMPORTANT

1. Do not tilt the unit more than 45° when mounting the legs.
2. Carry the unit by holding bottom.

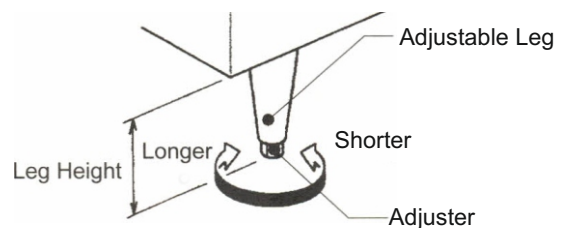
1) Cut the vinyl shipping tape and remove the carton.

2) Take out the accessory shelves, shelf clips and legs. Attach the four shelf clips horizontally to the shelf posts. Place the shelf on the shelf clips.



**Fig.5**

- 3) Tilt the unit backward to mount the front legs (work in pairs)
- 4) Mount the rear legs in the same way.
- 5) Before operating the unit, remove all shipping carton, packing, tape(s) and protective plastic film on the exterior, interior and top panel. Be careful not to damage the exterior panels.
- 6) Position the unit in a selected site.
- 7) Clean the interior with a soft cloth soaked in cold or warm water containing the proper amount of neutral cleaner and wrung dry.
- 8) Level the refrigerator/freezer in both the left-to-right and the front-to-rear directions. To adjust the height of the unit, turn the adjusters of the adjustable legs.

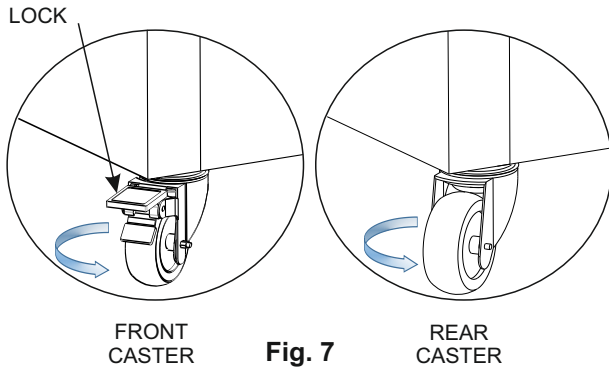


**Fig. 6**

### CAUTION

The height of the adjustable legs must be within 15 - 17 cm. If extended too much, the legs may become weak or the adjusters can come off, causing unexpected injuries.

# ENGLISH



- \* Caster Wheels are optional
- 8) Follow the same procedure mentioned for legs to fix caster wheels. Front casters are with lock & rear casters are without lock. Height cannot be adjusted with caster wheels.

### CAUTION

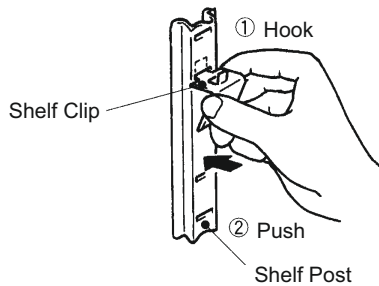
Do not move the unit in fully loaded condition. It may cause human fatigue.

Front caster must be locked while unit is in use. And can be unlocked while moving.

- 9) Remove the protective plastic film from the doors and front canopy panel.

## 5. SHELF AND SHELF CLIP

- \* The shelf is adjustable in 1.27 cm increments. Adjust the shelf clips according to the height of stored items.
- \* To attach the shelf clip, insert the upper tab into an adjust hole in the shelf post to hook the shelf clip, and push the lower tab into another adjust hole until it locks in place. To detach the shelf clip, reverse the above procedure.



**Fig. 8**

### CAUTION


Attach the shelf clips properly to make the shelf level.

## 6. ELECTRICAL CONNECTIONS

### IMPORTANT

This appliance is provided with no power switch or earth leakage circuit breaker, but with over-current protection only. Install an earth leakage circuit breaker with overload protection rated at least 15A on the main power supply.

This is equipped with 10A supply cord

- \* This Appliance must be plugged into the separated power receptacle which is readily accessible and has enough capacity. The maximum allowable voltage variation should not exceed  $\pm 10$  percent of the nameplate rating. See the nameplate.
- \* If the supply cord and the plug should need to be replaced, it should only be done by a qualified service engineer to avoid any danger.
- \* Ensure proper earthing provided. 

ELECTRICAL WIRING  
DIAGRAM

