

BERJAYA®

Quality Variety Reliability



QUALITY
FOODSERVICE
EQUIPMENT

2023
EDITION

Stainless Steel Duck Roaster

Model	Charcoal	Gas	Dimension (H x Ø) (mm)	Burner (LPG)
A-C27	Small		1270 x 685	-
A-C33	Large		1525 x 840	-
A-G27		Small	1270 x 685	E40
A-G33		Large	1525 x 840	E40

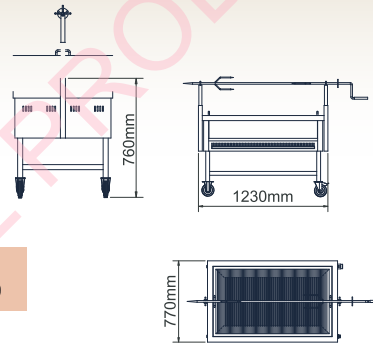
Model	Charcoal	Gas	Dimension (H x Ø) (mm)	Burner (LPG)
A-HC27	Small		1270 x 685	-
A-HC33	Large		1525 x 840	-
A-HG27		Small	1270 x 685	E40
A-HG33		Large	1525 x 840	E40

Charcoal Stove	Model	Dimension (H x Ø) (mm)
	CS	300 x 320



Stainless Steel Charcoal Lamb Roaster

- Stainless steel body, spits and netting.
- Use charcoal.
- Meat can be cooked at different temperature by adjusting to different height.
- Removable oil drip pan.
- Spits manually rotate.

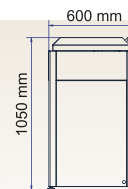


Model	Dimension (L x W x H) (mm)	Weight (kg)	Packing Volume (m ³)
LR-47	1230 x 770 x 760	70	0.7

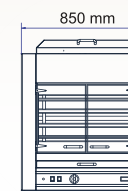
Stainless Steel Gas Rotisseries

- Stainless Steel Body.
- Unique Convection heating system and direct infrared radiation.
- Large glass doors provide customers optimum view of appealing turning browning chicken.

Model	Dimension (L x W x H) (mm)	Packing Dimension (L x W x H) (mm)	Each Burner Capacity Btu / Hr (MJ / Hr)
GR 001	850 x 600 x 1050	975 x 720 x 1105	40,000 (42.2) x2
	Voltage, Frequency (V, Hz)	Weight (kg)	No. of Burner
	220~240, 50 / 60	106	2
			Packing Volume (m ³)
			0.78



Side View



Front View



 GR 001

